

215-447-190 Roto Boss 550 (1995)
Rear Tine Tiller Illustration (Part 1)

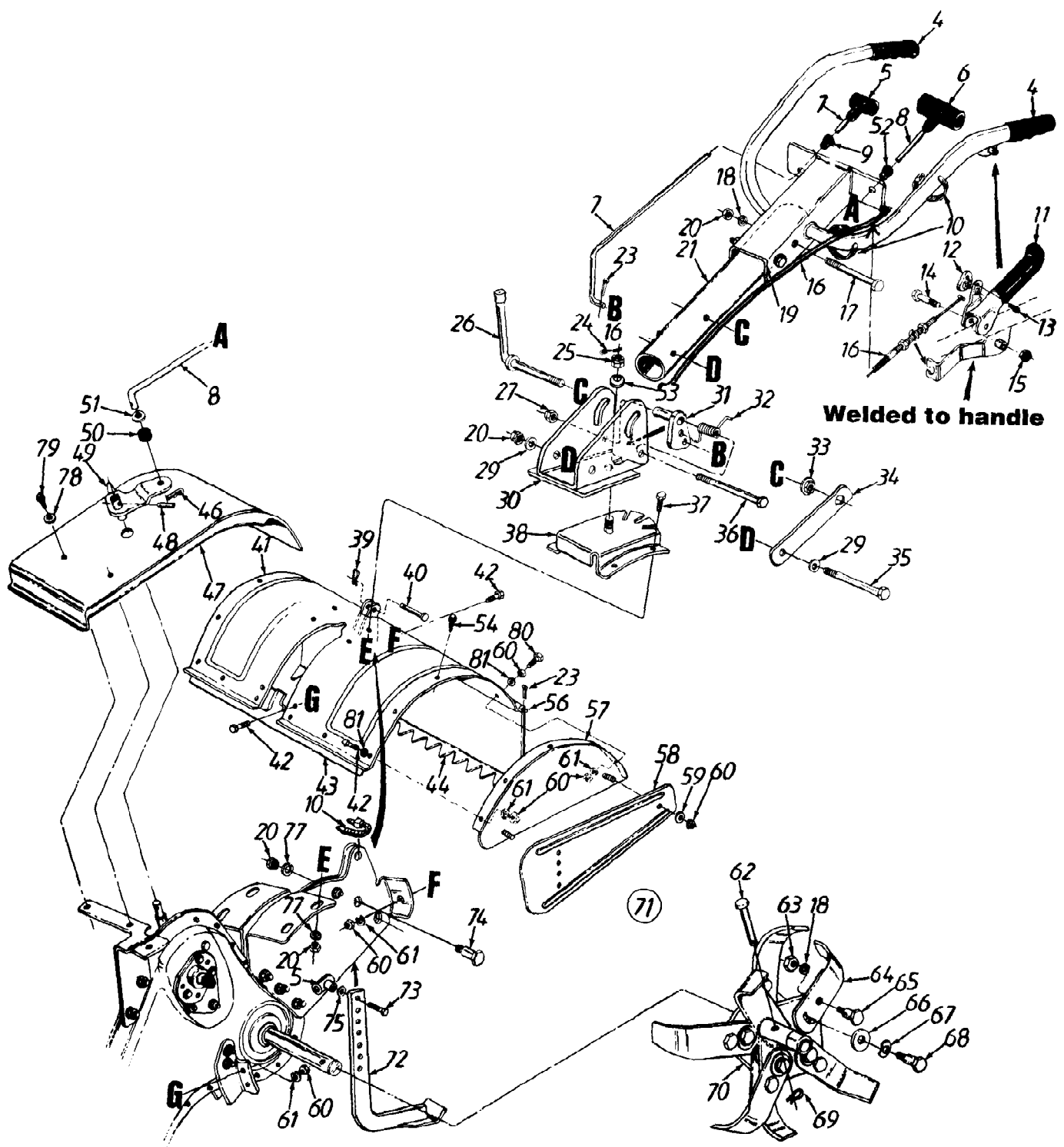
Page 2 of 9

Ref #	Part Number	Qty	S/P/F	Description
1	784-0171A	1		Shifting Bracket Ass'y.
2	732-0496	1	S	Compression Spring .50" Lg.
3	741-0862	1	/P	Ball Detent .250" Dia.
4	738-0645	1		Detent Shaft 1/2" Dia.
5	750-0664	1		Spacer .505" I.D. x .88" O.D.
6	741-0155	1	S	Ball Brg. .62" I.D. x 1.38"
7	717-0851	1	S	Spur Gear 16T (Input)
8	717-0852	1		Input Spline Shaft 7/8"
9	750-0651	1		Spacer .657" I.D. x 2.85" Lg.
10	736-0187	1	/P	FI-Wash. .640" I.D. x 1.24"
11	717-0857	1		Spur Gear 30T 7/8" I.D.
12	741-0478	1	S	Needle Bearing 5/8" I.D.
13	721-0211	1	S	Gasket - Trans. Hsg.
14	710-0599	1	/P	Hex S-Tap Scr. 1/4-20 x .5"
15	784-0211	1		1-3/8" Dia. Bearing Housing
16	710-0642	1	/P	Hex TT-Tap Scr. 1/4-20 x .75"
17	712-0267	1	S/F	Hex Nut 5/16-18 Thd.
18	736-0119	1	S/F	L-Wash. 5/16" I.D.
19	750-0662	1		Spacer 1.56" Lg.
20	712-0378	1	/P	Hex Nut 7/16-20 Thd.
21	736-0407	1		Bell-Wash. .45" I.D. x 1.0"
22	750-0661	1		Spacer 1.015" Lg.
23	741-0420	1	S	Tine Shaft Brg. 1.002 x 2.50
24	784-0214	1		Trans. Housing Ass'y. - L.H.
25	784-0193	1		Bracket Gear Case - L.H.
26	784-0166	1	S	Dust Cover Ass'y. .75" Shaft
27	611-0021	1	/P	Tine Shaft Ass'y. 1" O.D.
28	736-0351	1	S	FI-Wash. .76" I.D. x 1.5" O.D.
29	750-0671	1	S	Spacer .75" I.D. x .50" Lg.
30	713-0226	1	S	Chain #50 5/8 Pitch x 52 Links - Endless
31	741-0488	1	S	Needle Bearing 5/8" I.D.
32	716-0865	1	/P	Snap Ring
33	726-0277	1		Taper Cap Plug
34	717-0854	1		Spur Gear 30T 12/16" I.D.
35	717-0874	1	S	30/44T Gear Ass'y. Comp.
36	717-0863	1		Spur Gear 44T
37	741-0181	1	S	Sleeve Bearing
38	717-0835	1		Gear Hub 3/4" I.D. x 3" Lg.
39	717-0855	1		Spur Gear 30T 1.0" I.D. x 1/2" W
40	738-0647	1		Jack Shaft 5/8" Dia. x 5"
41	738-0648	1		Jack Shaft 5/8" Dia. x 2.38"
42	784-0215	1	S	Trans. Housing Ass'y. - R.H.
43	717-0858	1		Spur Gear 55T
?44	726-0277	1		Plug
45	741-0421	1		Wheel Brg. .752" x 2.5"
46	713-0367	1	S	#420 Chain 1/2 Pitch x 50 Links - Endless
47	611-0020	1	S	Wheel Shaft Ass'y. 15.6"
48	784-0192	1	S	Bracket Gear Case - R.H.
49	784-0195	1		R.H. Housing Ass'y.
50	710-0116	1	S/F	Hex Bolt 5/16-18 x 2"
51	710-0378	1	/P/F	Hex Bolt 5/16-18 x 2.5"
52	710-0513	1		Hex Bolt 1/4-20 x .62" Lg.
53	736-0169	1		Hex Bolt 1/4-20 x .62" Lg.

215-447-190 Roto Boss 550 (1995)
Rear Tine Tiller Illustration (Part 1)

Page 3 of 9

Ref #	Part Number	Qty	S/P/F	Description
54	736-0176	1	S	FI-Wash. 1/4" I.D. x .93" O.D.
55	786-0065	1		Gear Positioner Bracket
56	736-0406	1	S	FI-Wash. 7/16" I.D. x 1-3/8"
57	784-0167	1	S	Dust Cover Ass'y. 1" Shaft
58	750-0570	1	S	Spacer 1" I.D. x 2" O.D.
59	717-0853	1	S	Shifting Fork
60	710-0118	1	S/F	Hex Bolt 5/16-18 x .75" Lg.
63	784-0162	1	S	10T Sprocket Ass'y.
64	736-0163	1	S	Thrust Wash. 1.03" I.D. x 1.62" O D.
	737-0223	27	S	16 oz. Bottle #00EP Grease 27 oz. Req'd.
	686-0058	1		Gear Case Ass'y. Comp.

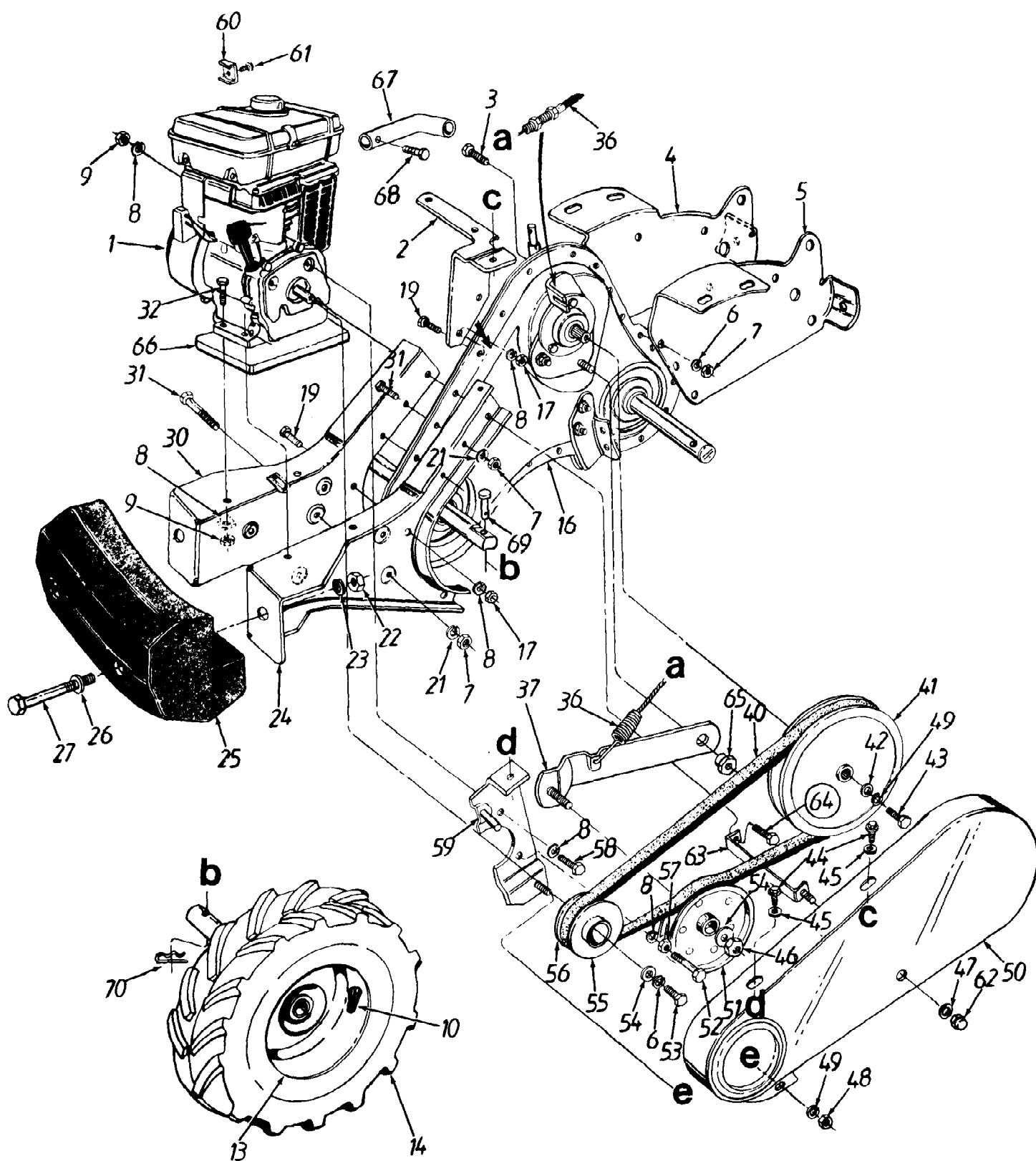


Ref #	Part Number	Qty	S/P/F	Description
4	720-0180	1	S	Handle Grip
5	720-0210A	1	/P	Small "T" Knob
6	720-0209	1		Large "T" Knob
7	747-0666	1		Clutch Rod
8	747-0664	1		Control Rod 37" Lg.
9	735-0228	1		Snap On Bushing 3/8" Dia.
10	725-0157	1	/P	Cable Tie-Self Clinching
11	784-0202B	1	S	Clutch Grip Ass'y. - L.H.
12	746-0605	1	S	Barrel Cable Hold Down
13	710-0919	1	/P	Hex B-Tap Scr. #10 x .44" Lg.
14	710-0331	1	/P/F	Hex Bolt 3/8-24 x 2.25" Lg.
15	712-0262	1	/P	Hex Jam L-Nut 3/8-24 Thd.
16	746-0908	1	S	Clutch Control Cable 46" Lg.
17	710-0194	1	/P/F	Hex Bolt 3/8-16 x 3.00" Lg.
18	736-0217	1	S	L-Wash. 3/8" I.D. - H.D.
19	686-0075	1		Handle Ass'y.
20	712-0798	1	/P/F	Hex Nut 3/8-16 Thd.
21	784-0189	1		Handle Tubing Ass'y.
23	714-0507	1	S/F	Cotter Pin 3/32" Dia. x .75" Lg.
24	714-3021	1	S/F	Cotter Pin 3/32" Dia. x 1.25" Lg.
25	712-0386A	1	/P	Hex Slotted Nut 5/8-18 Thd.
26	784-0190	1		Handle Adj. Crank
27	712-0375	1	/P	Hex Cent. L-Nut 3/8-16 Thd.
29	736-0105	1	/P	Bell-Wash. .4" I.D. x .87" O.D.
30	784-0263	1	S	Handle Pivot Bracket
31	784-0183	1		Positioner Crank Ass'y.
32	732-0493	1		Spring Handle Adj. (Torsion)
33	712-0379	1	/P	Hex Flange Nut 3/8-24 Thd.
34	784-0191	1		Bracket Hex Nut Retainer
35	710-0644	1	F	Hex Bolt 3/8-16 x 3.25" Lg."
36	710-0521	1	/P	Hex Bolt 3/8-16 x 3.00" Lg. - Gr. 8
37	710-0253	1	S/F	Hex Bolt 3/8-16 x 1" Lg.
38	784-0181A	1	S	Handle Positioner Brkt. Ass'y.
39	714-0149B	1	S	Intern. Cotter Pin
40	711-0415	1	S	Clevis Pin .375" Dia.
41	784-0156	1		Tine Shield 18"
42	710-0118	1	S/F	Hex Bolt 5/16-18 x .75" Lg.
43	784-0210	1		Bracket Reinforcement - 18"
44	14979	1	S	Tine Shield Hinge Flap
46	714-0104	1	S	Intern. Cotter Pin 5/16" Dia.
47	784-0208A	1	S	Shift Cover
48	715-0120	1	S	Spring Roll Pin 3/16" Dia.
49	784-0173	1		Shifting Crank Ass'y.
50	735-0127	1	/P	Rubber Washer .33" I.D.
51	736-0133	1	S	FI-Wash. .4" I.D. x 1.25" O.D.
52	735-0227	1		Snap On Bushing 1/2" Dia.
53	736-0317	1	/P	Bell-Wash..63" I.D. x 1.25"
54	710-0607	1	/P	Hex Wash. Tap Scr.
56	747-0432	1		Tiller Flap Rod
57	784-0179	1	S	End Cover Ass'y.
58	15390	1	S	Side Shield
59	736-0242	1	/P	Bell-Wash. .345" I.D. x .88"
60	712-0267	1		Hex Nut 3/8-16 Thd.

215-447-190 Roto Boss 550 (1995)
Rear Tine Tiller Illustration (Part 2)

Page 6 of 9

Ref #	Part Number	Qty	S/P/F	Description
61	736-0119	1	S/F	L-Wash. 5/16" I.D.
62	711-0415	1	S	Clevis Pin .375" Dia.
63	712-0241	1	/P/F	Hex Nut 3/8-24 Thd.
64	742-0305	1	S	13" Dia. Articulating Tine
65	738-0689	1	S	Shld. Bolt 1/2" Dia. x .175
66	736-0208	1	S	FI-Wash. .51" I.D. x 1.50"
67	736-0255	1	S	Bell-Wash. .515" I.D. x 1.14"
68	738-0688	1	S	Shld. Bolt 1/2" Dia. x .320
69	714-0149B	1	S	Intern. Cotter Pin
70	784-0160	1	S	Tine Adapter Ass'y. 18"
71	784-0205	1	S	Tine Ass'y. Comp. 18"
72	786-0120	1	S	Depth Bar
73	710-0216	1	/P/F	Hex Bolt 3/8-16 x .75" Lg.
74	738-0148	1	S	Shld. Bolt 1/2" I.D. x .62" Lg.
75	736-0117	1	S	FI-Wash. 3/8" I.D. x 5/8" O.D.
77	736-0169	1	S/F	L-Wash. 3/8" I.D.
78	736-0463	1	S	FI-Wash. .281" I.D. x .62"
79	710-0599	1	/P	Hex Wash. Self-Tap Scr. 1/4-20 x .50" Lg.
80	710-0528	1	/P/F	Hex Bolt 5/16-18 x 1 1/4" Lg.
81	712-0419	1		Cap L-Nut 5/16-18 Thd.
	777-2539	1		"550" Tine Shield Label
	777-5877D	1		Gear Selection Label
	777-5876D	1		F-N-R Label
	777-8186	1		Traction Speed Label
	777-8011	1		Operating Instruction Label



Ref #	Part Number	Qty	S/P/F	Description
1		1		Engine
2	786-0123	1		Shift Cover Mounting Brkt.
3	710-0253	1	S/F	Hex Bolt 3/8-16 x 1.00" Lg.
4	784-0178	1	S	Tine Shield Mtg. Brkt. - R.H.
5	784-0177	1		Tine Shield Mtg. Brkt. - L.H.
6	736-0169	1	S/F	L-Wash. 3/8" I.D.
7	712-0798	1	/P/F	Hex Nut 3/8-16 Thd.
8	736-0119	1	S/F	L-Wash. 5/16" I.D.
9	712-0267	1	S/F	Hex Nut 5/16-18" Thd.
10	734-0255	1	S	Air Valve
?11	710-0237	1	/P/F	Hex Bolt 5/16-24 x .62" Lg.
?12	736-0242	1	/P	Bell-Wash. .345" I.D. x .88"
13	634-0108	1		Wheel Rim Ass'y. Only
14	634-0107	1		L.H. Wheel Ass'y. Comp.
	634-0106	1		R.H. Wheel Ass'y. Comp.
	734-0808	1	S	Tire Only
16	686-0058	1		Gear Case Ass'y. Comp.
17	712-0267	1	S/F	Hex Nut 5/16-18 Thd.
19	710-0118	1	S/F	Hex Bolt 5/16-18 x .75" Lg.
21	736-0217	1	S	L-Wash. 3/8" I.D. - H.D.
22	712-0206	1	S/F	Hex Nut 1/2-13 Thd.
23	736-0921	1	S/F	L-Wash. 1/2" I.D.
24	784-0155	1		Engine Mounting Rail - R.H.
25	723-0381	1		#40 Counter Weight
26	736-0326	1	S	FI-Wash. .510" I.D. x 1.0"
27	710-0382	1	F	Hex Bolt 1/2-13 x 5.00" Lg.
30	784-0154	1		Engine Mounting Rail - L.H.
31	710-0216	1	/P/F	Hex Bolt 3/8-16 x .75" Lg.
32	710-0176	1	/P/F	Hex Bolt 5/16-18 x 2.75"
36	746-0908	1	S	Clutch Control Cable 46" Lg.
37	686-0026	1		Idler Bracket Ass'y.
40	754-0267	1	S	"V" - Belt
41	756-0634	1		FI-Pulley 8" O.D.
42	736-0176	1	S	FI-Wash. 1/4" I.D. x .93" O.D.
43	710-0412	1	/P	Hex Bolt 1/4-28 x .75" Lg.
44	710-0599	1	/P	Hex Wash. Hd. S-Tap Scr. 1/4-20 x .50" Lg.
45	736-0463	1	S	FI-Wash. .281" I.D. x .625"
46	712-0262	1	/P	Hex Cent. L-Nut 3/8-24 Thd.
47	736-3020	1	S	FI-Wash. .266" I.D. x .625" O.D.
48	712-0287	1	S/F	Hex Nut 1/4-20 Thd.
49	736-0329	1	S/F	L-Wash. 1/4" I.D.
50	784-0158	1	S	Belt Cover
51	756-0405	1	/P	FI-Idler w/Flanges 3.75" O.D.
52	710-0409	1	/P/F	Hex Bolt 5/16-24 x 1.75"
53	710-0152	1	S/F	Hex Bolt 3/8-24 x 1.00" Lg.
54	736-0258	1	/P	FI-Wash. 3/8" I.D. x 1.00"
55	756-0971	1		Outer Engine Pulley Half
56	756-0972	1		Inner Engine Pulley Half
57	712-0123	1	/P/F	Hex Nut 5/16-24 Thd.
58	710-0237	1	/P/F	Hex Bolt 5/16-24 x .62" Lg.
59	686-0065	1		Belt Keeper Ass'y.
60	751-0360A	1	S	Casing Clamp
61	710-0899A	1		Hex Bolt 5/16-24 x .62" Lg.

215-447-190 Roto Boss 550 (1995)
Rear Tine Tiller Illustration (Part 3)

Page 9 of 9

Ref #	Part Number	Qty	S/P/F	Description
62	712-0392	1	/P	Hex Cap Nut 1/4-28 Thd.
63	686-0064	1		Belt Cover Brkt. Ass'y.
64	710-0376	1	/P	Hex Bolt 5/16-18 x 1" Lg. (Gr. 5)
65	738-0876	1	S	Shld. Nut
66	717-0522	1		Engine Spacer Block
67	751-0596	1		Outlet Pipe
68	710-0227	1	/P	Hex Wash. Hd. AB-Tap Scr. #8 x .5" Lg.
69	711-1017	1	/P	Clevis Pin
70	714-0104	1	S	Hairpin Clip
	777-1014	1		"550" Belt Guard Label
	777-5877D	1		Gear Selection Label
	777-5876B	1		F-N-R Label
	777-8186	1		Traction Speed Label
	777-8011	1		Operating Instruction Label
	777-5913	1		Throttle Label
	777-9675	1		Tilling Depth Label
	777-6549	1		Plastic Logo